

LED STREET LIGHT LF-SERIES

Lighting



- Uniformly distributed light and color.
- Great illuminating angle: 120° or above
- Accurate constant-current driving with current fluctuation less than 1mA.
- Strict temp control: Temp up at work is below 20 degree. Overheat protection will automatically starts if the operating temp is more than 70 degree.
- Special circuit protection: The protection can prevent whole circuit from current overflow or unbalanced caused by single failed LED, saving the whole lamp.
- Variable power: Total power can be reduced to half or 2/3 et on request to save energy.

▪ Technical characteristics

Type	LF-20	LF-30	LF-40	LF-50	LF-60
LED quantity	20 pcs	30 pcs	40 pcs	50 pcs	60 pcs
Total power	20 W	30 W	40 W	50 W	60 W
Color rendering	> 75 CRI	> 75 CRI	> 75 CRI	> 75 CRI	> 75 CRI
Luminous flux	2400 lm	3600 lm	4800 lm	6000 lm	7200 lm
LED color temp	White (warm/neutral/cool)				
Input voltage	12V/24V DC, 110V/230V AC				
Frequency	50 ~ 60 Hz				
Power factor	>0.96				
Service life	>50000 Hours				
Casing material	Aluminum alloy die casting				
Ambient temp	-30 to +40°C				
Moisture allowed	≤95 %				
Temp up at work	25°C				
IP Rate	IP65				
Packing	2 pcs/Carton (66 x 28 x 30 cm)				
Power Efficiency	88 % - 91 %				
Dimension	606 × 250 × 128 mm				
Diameter for fit	φ 60 mm				
Net Weight	4.0 kg	4.0 kg	4.0 kg	4.5 kg	4.5 kg
Height	3-5 m	4-6 m	4-6 m	6-8 m	6-8 m

LED STREET LIGHT LF-SERIES

Lighting

Our LED street lamps with many features such as long service life, energy conservation, green and environmental protection, high luminance and good stability, easy installation and rare replacement, etc, which chops the cost for installation and maintenance and makes itself the most ideal successor to the traditional lamps. So our new LED lamps have a great advantage over typical LED lamps.

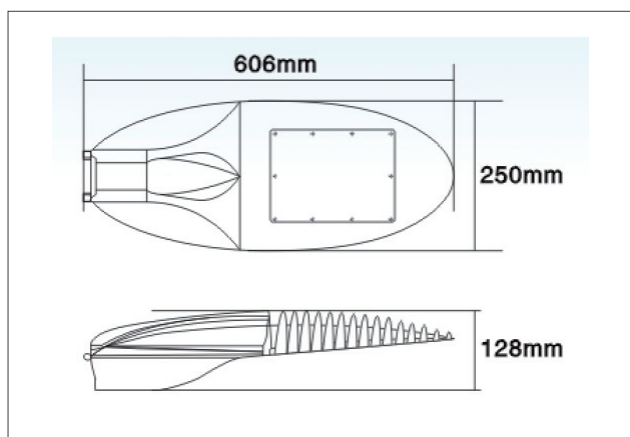
Fly fish lamp has a die-casting shell made with ZL102 aluminum. Its ultra-thin fin and V-shape design is effective to prevent the accumulation of dust and improve heat dissipation. It is suitable to be applied at the collector streets and small road or act as the supportive product for solar energy and wind energy generation lighting system.



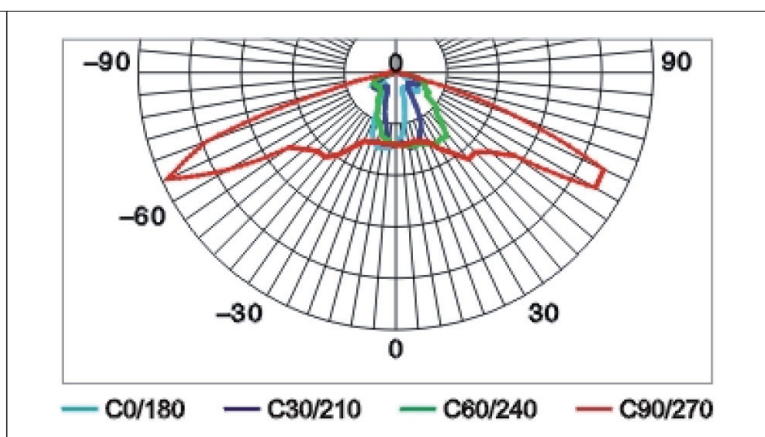
Center luminance

Type	LF-20	LF-30	LF-40	LF-50	LF-60
Height min.	3 m	4 m	4 m	6 m	6 m
Center Illumination min.	≥ 22 lux	≥ 30 lux	≥ 40 lux	≥ 30 lux	≥ 35 lux
Height max.	5 m	6 m	6 m	8 m	8 m
Center Illumination max.	≥ 12 lux	≥ 15 lux	≥ 20 lux	≥ 20 lux	≥ 25 lux

Dimensions



Distribution curve



We guarantee that, in the case of product failure resulting from non-human factors, our LED street lamps within 3 years be repaired, free of charge!