

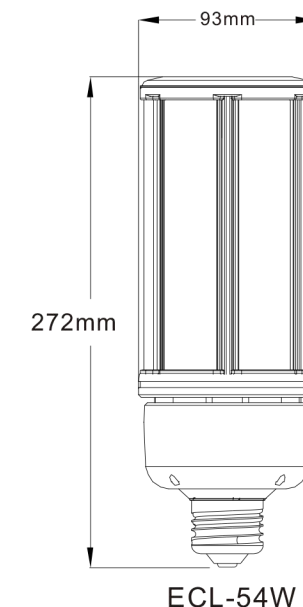


AC100-277V 50/60Hz

4000V Surge voltage	IP64 Ingress Protection Level	-40-60°C Working temperature	360 degree Viewing Angle
LED TYPE LG	5 Years warranty	2700-6500K CCT	PF>0.9 CRI>80 PF/CRI

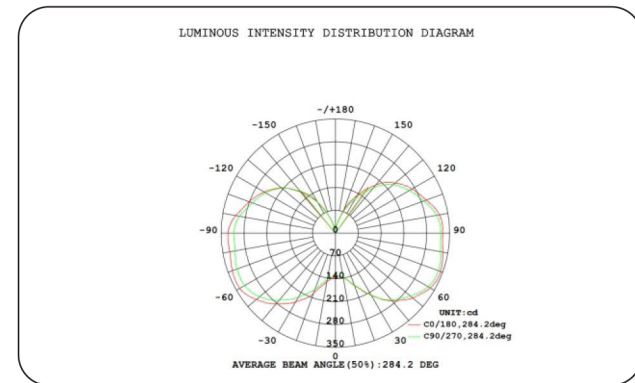
PRODUCT PARAMETER

Model	Dimension	Lumen Efficacy	Optional base	LED Quantity	Cover
ECL-27W	93X212MM	>130lm/W	E26/E27/E39/E40	84 PCS	Clear/Frosted
ECL-36W	93X232MM	>130lm/W	E26/E27/E39/E40	112 PCS	Clear/Frosted
ECL-45W	93X252MM	>130lm/W	E26/E27/E39/E40	140 PCS	Clear/Frosted
ECL-54W	93X272MM	>130lm/W	E26/E27/E39/E40	168 PCS	Clear/Frosted



Specifications

- Waterproofing level: IP64.
- Top & Bottom vent holes design, better heat dissipation
- Beam Angle: 360°.
- Applications: Warehouse, Garden, Malls, Street Landscape, Hotel, Galleries, Walkway lighting, Tunnel, Illuminate pathways, Stadiums.
- Guide-flow cove & hole. It guides water flow away very fast. prevent from watered.



PACKING SPECIFICATION

Watt	Box Size	Net Weight/light	Gross Weight Per CTN	CTN Size	Qty per CTN
27W	235*120*120mm	0.6 kg	13.5 kg	490*480*390mm	24
36W	255*120*120mm	0.7 kg	13.2kg	530*380*390mm	18
45W	275*120*120mm	0.8 kg	15kg	570*380*390mm	18
54W	295*120*120mm	0.85 kg	16.5kg	610*380*390mm	18



27W	100W	100W	40W	150W
36W	150W	150W	55W	200W
45W	175W	175W	65W	300W
54W	250W	250W	85W	300W



AC100-277V 50/60Hz

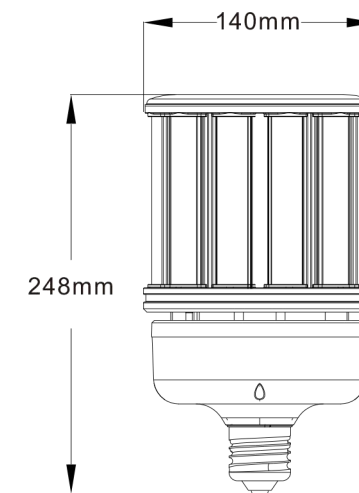
4000V Surge voltage	IP64 Ingress Protection Level	-40-60°C Working temperature	360 degree Viewing Angle
LED TYPE LG	5 Years warranty	2700-6500K CCT	PF>0.9 CRI>80

PRODUCT PARAMETER

Model	Dimension	Lumen Efficacy	Optional base	LED Quantity	Cover
ECL-80W	140X248MM	>130lm/W	E39/E40	252 PCS	Clear/Frosted
ECL-100W	140X258MM	>130lm/W	E39/E40	280 PCS	Clear/Frosted
ECL-120W	140X268MM	>130lm/W	E39/E40	336 PCS	Clear/Frosted



NEW



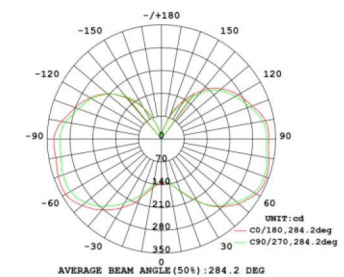
ECL-80W

LG	Rubycon	E39/E40	JAE Connector

Specifications

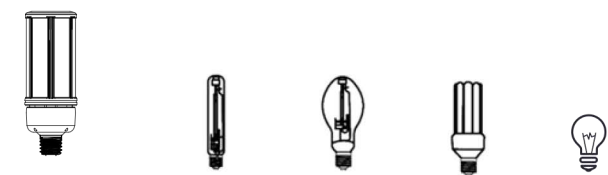
- Waterproofing level: IP64.
- Top & Bottom vent holes design, better heat dissipation
- Beam Angle: 360°.
- Applications: Warehouse, Garden, Malls, Street Landscape, Hotel, Galleries, Walkway lighting, Tunnel, Illuminate pathways, Stadiums.
- Guide-flow cove & hole. It guides water flow away very fast. prevent from watered.

LUMINOUS INTENSITY DISTRIBUTION DIAGRAM

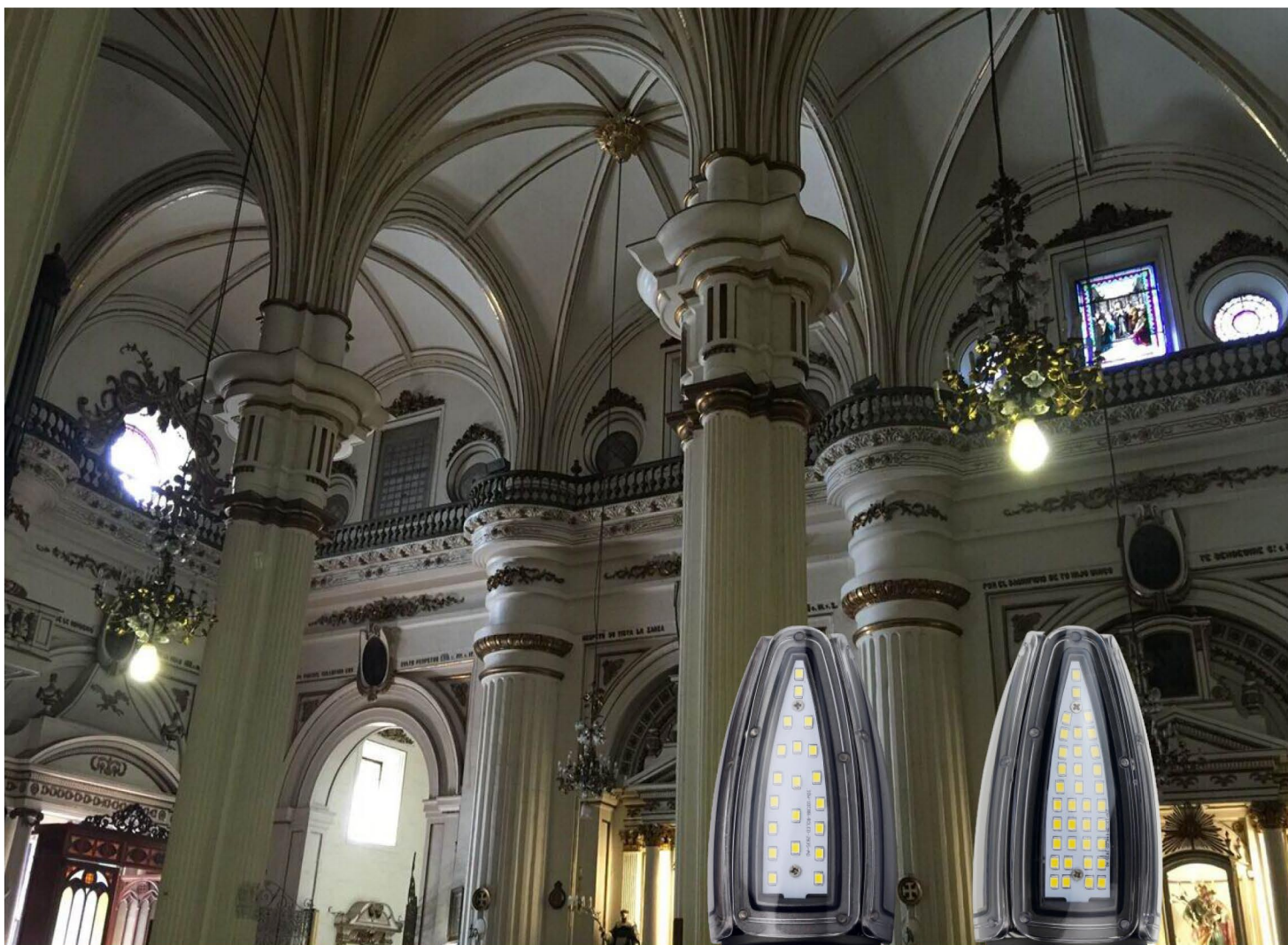


PACKING SPECIFICATION

Watt	Box Size	Net Weight/light	Gross Weight Per CTN	CTN Size	Qty per CTN
80W	270*160*160mm	1.6 kg	17.6 kg	690*300*350mm	8
100W	280*160*160mm	1.8 kg	19.0kg	690*310*350mm	8
120W	290*160*160mm	2.0 kg	20.0 kg	690*320*350mm	8



80W	320W	320W	100W	400W
100W	400W	400W	150W	500W
120W	600W	600W	200W	750W

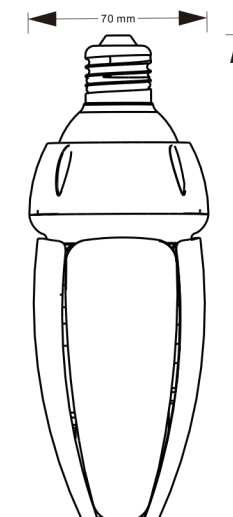


AC100-277V 50/60Hz

4000V Surge voltage	IP65 Waterproof Rating	-40-55°C Working temperature	360 degree Viewing Angle
LED TYPE 2835	5 Years warranty	2700-6500K CCT	PF>0.9 CRI>80 PF/CRI

PRODUCT PARAMETER

Model	Dimension	Lumen Efficacy	Optional base	LED Quantity	Cover
ACL-10W	70X193MM	>120lm/W	E26/E27	80 PCS	Clear/Frosted
ACL-20W	70X193MM	>120lm/W	E26/E27	144 PCS	Clear/Frosted

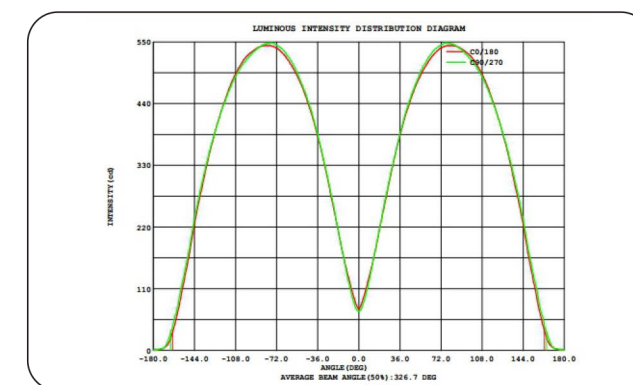


ACL-10W/20W

Epistar	Rubycon	E26/E27	Stable structure

Specifications

- Waterproofing level: IP65.
- The Cover can be clear or milky.
- Beam Angle: 360°.
- Applications: Warehouse, Garden, Malls, Street Landscape, Hotel, Galleries, Walkway lighting, Tunnel, Illuminate pathways, Stadiums.
- ISO9001-2008 , UL/cUL DLC LM79 LM80 ENEC CE ROHS PSE SAA.



PACKING SPECIFICATION

Watt	Box Size	Net Weight/light	Gross Weight Per CTN	CTN Size	Qty per CTN
10W	225*95*95mm	0.35 kg	9.6 kg	480*300*430mm	24
20W	225*95*95mm	0.35 kg	9.6 kg	480*300*430mm	24



10W	40W	40W	25W	100W
20W	80W	80W	32W	120W

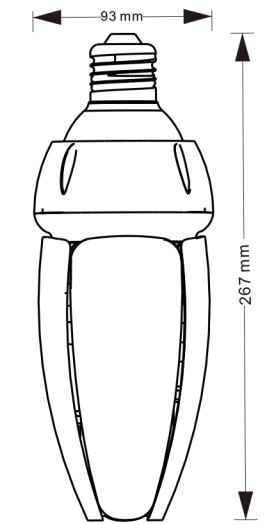


AC100-277V 50/60Hz

4000V Surge voltage	IP65 Waterproof Rating	-40-55°C Working temperature	360 degree Viewing Angle
LED TYPE 5730	5 Years warranty	2700-6500K CCT	PF>0.9 CRI>80 PF/CRI

PRODUCT PARAMETER

Model	Dimension	Lumen Efficacy	Optional base	LED Quantity	Cover
ACL-30W	93X267MM	>120lm/W	E26/E27/E39/E40	96 PCS	Clear/Frosted
ACL-40W	93X267MM	>120lm/W	E26/E27/E39/E40	132 PCS	Clear/Frosted
ACL-50W	93X267MM	>120lm/W	E26/E27/E39/E40	168 PCS	Clear/Frosted

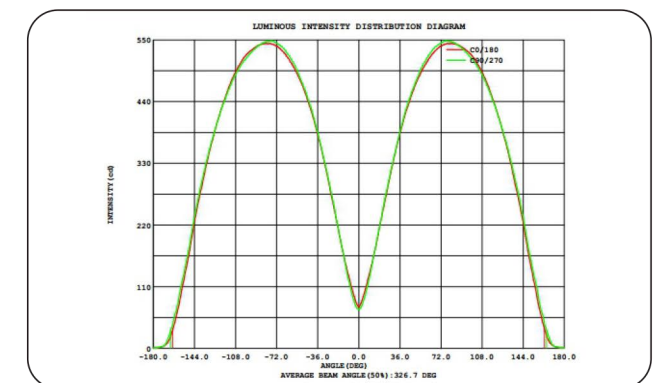


ACL-30W/40W/50W

Epistar Samsung	Rubycon	E26/E27 E39/E40	Stable structure

Specifications

- Waterproofing level: IP65.
- The Cover can be clear or milky.
- Beam Angle: 360°.
- Applications: Warehouse, Garden, Malls, Street Landscape, Hotel, Galleries, Walkway lighting, Tunnel, Illuminate pathways, Stadiums.
- ISO9001-2008 , UL/cUL DLC LM79 LM80
ENEC CE ROHS PSE SAA.



PACKING SPECIFICATION

Watt	Box Size	Net Weight/light	Gross Weight Per CTN	CTN Size	Qty per CTN
30W	305*120*120mm	0.9 kg	19.5 kg	620*380*390mm	18
40W	305*120*120mm	0.9 kg	19.5 kg	620*380*390mm	18
50W	305*120*120mm	0.9 kg	19.5 kg	620*380*390mm	18



30W	120W	110W	70W	200W
40W	160W	160W	90W	250W
50W	200W	200W	100W	300W



AC100-277V 50/60Hz

4000V Surge voltage	IP65 Waterproof Rating	-40-55°C Working temperature	360 degree Viewing Angle
LED TYPE 5730	5 Years warranty	2700-6500K CCT	PF>0.9 CRI>80 PF/CRI

PRODUCT PARAMETER

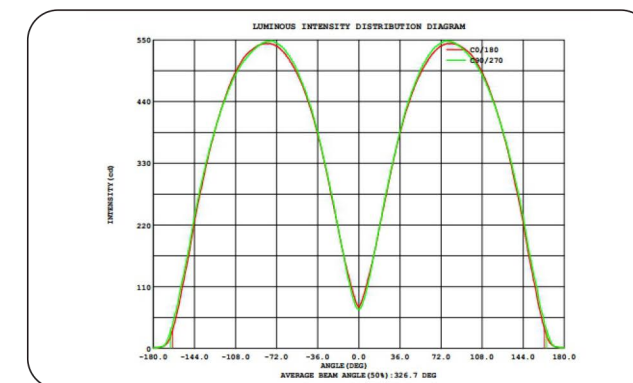
Model	Dimension	Lumen Efficacy	Optional base	LED Quantity	Cover
ACL-80W	133X299MM	>120lm/W	E39/E40	252 PCS	Clear/Frosted



Epistar Samsung	Rubycon	E39/E40	Stable structure

Specifications

- Waterproofing level: IP65.
- The Cover can be clear or milky.
- Beam Angle: 360°.
- Applications: Warehouse, Garden, Malls, Street Landscape, Hotel, Galleries, Walkway lighting, Tunnel, Illuminate pathways, Stadiums.
- ISO9001-2008 , UL/cUL DLC LM79 LM80
ENEC CE ROHS PSE SAA.



PACKING SPECIFICATION

Watt	Box Size	Net Weight/light	Gross Weight Per CTN	CTN Size	Qty per CTN
80W	325*145*145mm	2.0 kg	18.8 kg	590*350*315mm	8



80W	320W	320W	100W	400W



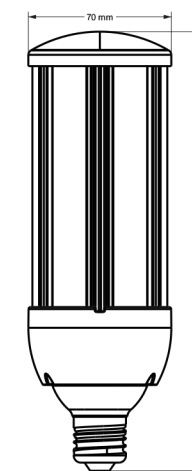
AC100-277V 50/60Hz

4000V Surge voltage	IP64 Ingress Protection Level	-40-55°C Working temperature	360 degree Viewing Angle
LED TYPE 2835	5 Years warranty	2700-6500K CCT	PF>0.9 CRI>80 PF/CRI



PRODUCT PARAMETER

Model	Dimension	Lumen Efficacy	Optional base	LED Quantity	Cover
SCL-15W	70X170MM	>120lm/W	E26/E27	84 PCS	Clear/Frosted
SCL-21W	70X190MM	>120lm/W	E26/E27	126 PCS	Clear/Frosted
SCL-27W	70X210MM	>120lm/W	E26/E27	140 PCS	Clear/Frosted



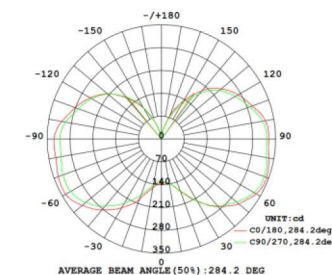
SCL-27W

Epistar	Rubycon	E26/E27	JAE Connector

Specifications

- Waterproofing level: IP64.
- The Cover can be clear or milky.
- Beam Angle: 360°.
- Applications: Warehouse, Garden, Malls, Street Landscape, Hotel, Galleries, Walkway lighting, Tunnel, Illuminate pathways, Stadiums.
- ISO9001-2008 , UL/cUL DLC LM79 LM80
- ENEC CE ROHS PSE SAA.

LUMINOUS INTENSITY DISTRIBUTION DIAGRAM



PACKING SPECIFICATION

Watt	Box Size	Net Weight/light	Gross Weight Per CTN	CTN Size	Qty per CTN
15W	220*95*95mm	0.4 kg	11.5 kg	460*430*300mm	24
21W	240*95*95mm	0.52 kg	13.5 kg	490*430*300mm	24
27W	260*95*95mm	0.5 kg	16.5 kg	520*430*300mm	24



15W	50W	50W	26W	100W
21W	100W	100W	32W	120W
27W	100W	100W	40W	150W

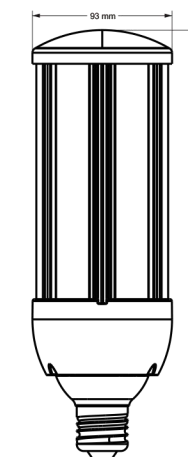


AC100-277V 50/60Hz

4000V Surge voltage	IP64 Ingress Protection Level	-40-55°C Working temperature	360 degree Viewing Angle
LED TYPE 5730	5 Years warranty	2700-6500K CCT	PF>0.9 CRI>80

PRODUCT PARAMETER

Model	Dimension	Lumen Efficacy	Optional base	LED Quantity	Cover
SCL-36W	93X221MM	>120lm/W	E26/E27/E39/E40	108 PCS	Clear/Frosted
SCL-45W	93X246MM	>120lm/W	E26/E27/E39/E40	135 PCS	Clear/Frosted
SCL-54W	93X271MM	>120lm/W	E26/E27/E39/E40	162 PCS	Clear/Frosted

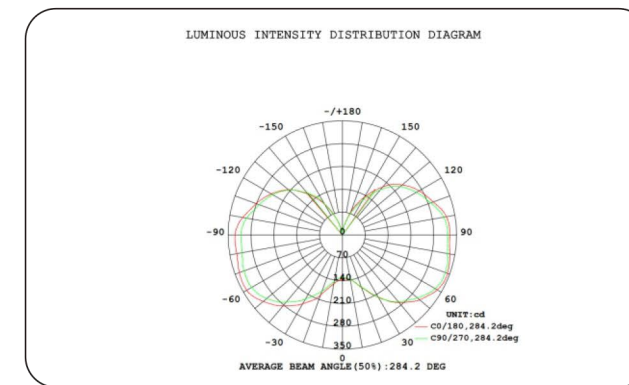


SCL-36W

Epistar Samsung	Rubycon	E26/E27 E39/E40	JAE Connector

Specifications

- Waterproofing level: IP64.
- The Cover can be clear or milky.
- Beam Angle: 360°.
- Applications: Warehouse, Garden, Malls, Street Landscape, Hotel, Galleries, Walkway lighting, Tunnel, Illuminate pathways, Stadiums.
- ISO9001-2008 , UL/cUL DLC LM79 LM80
- ENEC CE ROHS PSE SAA.



PACKING SPECIFICATION

Watt	Box Size	Net Weight/light	Gross Weight Per CTN	CTN Size	Qty per CTN
36W	255*120*120mm	0.85 kg	16.5 kg	530*400*390mm	18
45W	300*120*120mm	1.02 kg	18.5 kg	600*400*390mm	18
54W	315*120*120mm	1.10 kg	21.5 kg	635*389*395mm	18



36W	150W	150W	55W	200W
45W	175W	175W	65W	300W
54W	250W	250W	85W	300W

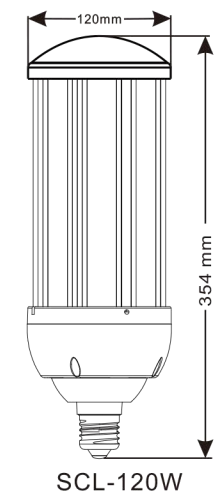


AC100-277V 50/60Hz

4000V Surge voltage	IP64 Ingress Protection Level	-40-55°C Working temperature	360 degree Viewing Angle
LED TYPE 5730	5 Years warranty	2700-6500K CCT	PF>0.9 CRI>80

PRODUCT PARAMETER

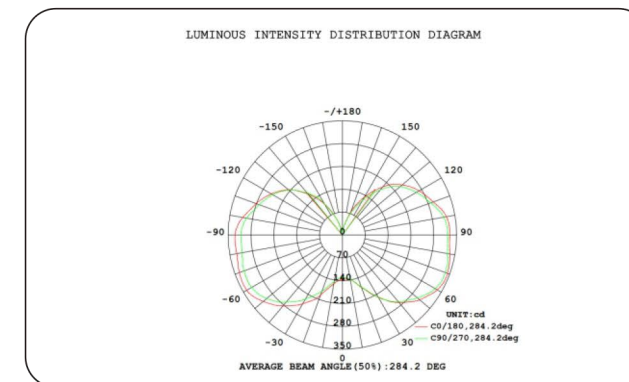
Model	Dimension	Lumen Efficacy	Optional base	LED Quantity	Cover
SCL-80W	120X314MM	>120lm/W	E39/E40	240 PCS	Clear/Frosted
SCL-100W	120X334MM	>120lm/W	E39/E40	288 PCS	Clear/Frosted
SCL-120W	120X354MM	>120lm/W	E39/E40	336 PCS	Clear/Frosted



Epistar Samsung	Rubycon	E39/E40	JAE Connector

Specifications

- Waterproofing level: IP64.
- The Cover can be clear or milky.
- Beam Angle: 360°.
- Applications: Warehouse, Garden, Malls, Street Landscape, Hotel, Galleries, Walkway lighting, Tunnel, Illuminate pathways, Stadiums.
- ISO9001-2008 , UL/cUL DLC LM79 LM80
- ENEC CE ROHS PSE SAA.



PACKING SPECIFICATION

Watt	Box Size	Net Weight/light	Gross Weight Per CTN	CTN Size	Qty per CTN
80W	330*140*140mm	1.8 kg	17.6 kg	600*350*320mm	8
100W	350*140*140mm	2.0 kg	19.0kg	600*380*320mm	8
120W	380*140*140mm	2.2 kg	20.0 kg	600*410*320mm	8



80W	320W	320W	100W	400W
100W	400W	400W	150W	500W
120W	600W	600W	200W	750W



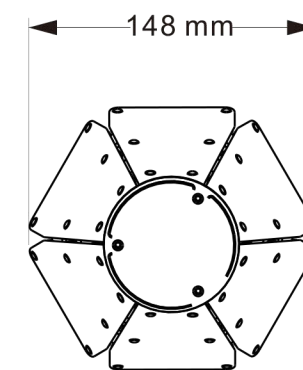
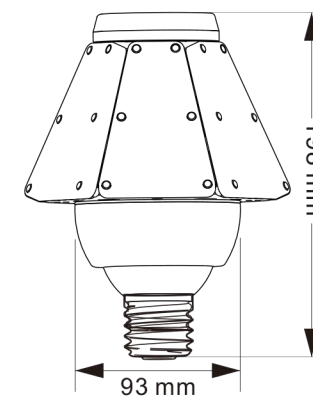
AC100-277V 50/60Hz

4000V Surge voltage	IP65 Waterproof Rating	-40-55°C Working temperature	360 degree Viewing Angle
LED TYPE 2835	5 Years warranty	2700-6500K CCT	PF>0.9 CRI>80



PRODUCT PARAMETER

Model	Dimension	Lumen Efficacy	Optional base	LED Quantity	Cover
DCL-30W	148X198MM	>120lm/W	E26/E27/E39/E40	228 PCS	Clear/Frosted
DCL-40W	148X198MM	>120lm/W	E26/E27/E39/E40	275 PCS	Clear/Frosted
DCL-50W	148X198MM	>120lm/W	E26/E27/E39/E40	350 PCS	Clear/Frosted

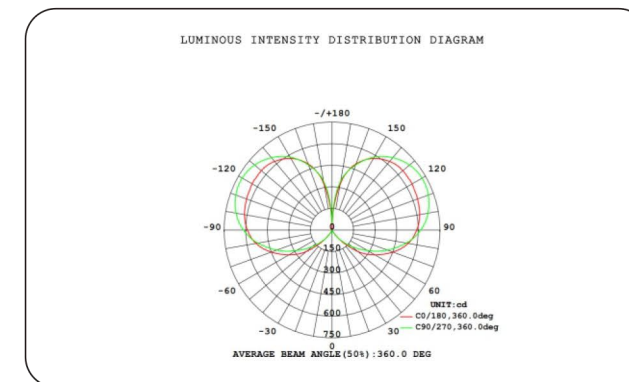


DCL-30W/40W/50W

Epistar Samsung	Rubycon	E26/E27 E39/E40	JAE Connector

Specifications

- Waterproofing level: IP65.
- The Cover can be clear or milky.
- Beam Angle: 360°.
- Applications: Warehouse, Garden, Malls, Street Landscape, Hotel, Galleries, Walkway lighting, Tunnel, Illuminate pathways, Stadiums.
- ISO9001-2008 , UL/cUL DLC LM79 LM80
- ENEC CE ROHS PSE SAA.



PACKING SPECIFICATION

Watt	Box Size	Net Weight/light	Gross Weight Per CTN	CTN Size	Qty per CTN
30W	225*155*145mm	0.95kg	15.5 kg	490*490*340mm	12
40W	225*155*145mm	0.95kg	15.5 kg	490*490*340mm	12
50W	225*155*145mm	0.95kg	15.5 kg	490*490*340mm	12



30W	120W	120W	40W	150W
40W	175W	175W	65W	300W
50W	200W	200W	100W	300W



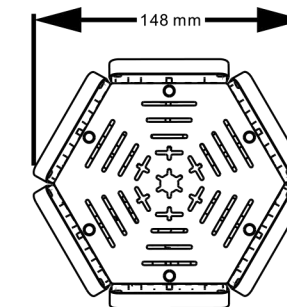
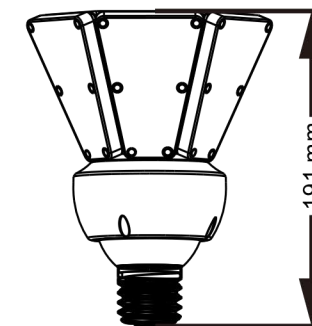
AC100-277V 50/60Hz

4000V Surge voltage	IP65 Waterproof Rating	-40-55°C Working temperature	360 degree Viewing Angle
LED TYPE 2835	5 Years warranty	2700-6500K CCT	PF>0.9 CRI>80 PF/CRI



PRODUCT PARAMETER

Model	Dimension	Lumen Efficacy	Optional base	LED Quantity	Cover
GCL-30W	148X191MM	>120lm/W	E26/E27/E39/E40	216 PCS	Clear/Frosted
GCL-40W	148X191MM	>120lm/W	E26/E27/E39/E40	264 PCS	Clear/Frosted
GCL-50W	148X191MM	>120lm/W	E26/E27/E39/E40	336 PCS	Clear/Frosted



GCL-30W/40W/50W



Epistar Samsung



Rubycon

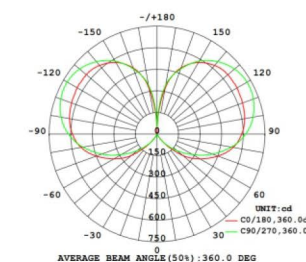


E26/E27
E39/E40

Specifications

- Waterproofing level: IP65.
- The Cover can be clear or milky.
- Beam Angle: 360°.
- Applications: Warehouse, Garden, Malls, Street Landscape, Hotel, Galleries, Walkway lighting, Tunnel, Illuminate pathways, Stadiums.
- ISO9001-2008 , UL/cUL DLC LM79 LM80
ENEC CE ROHS PSE SAA.

LUMINOUS INTENSITY DISTRIBUTION DIAGRAM



PACKING SPECIFICATION

Watt	Box Size	Net Weight/light	Gross Weight Per CTN	CTN Size	Qty per CTN
30W	225*155*145mm	0.95kg	15.5 kg	490*490*340mm	12
40W	225*155*145mm	0.95kg	15.5 kg	490*490*340mm	12
50W	225*155*145mm	0.95kg	15.5 kg	490*490*340mm	12



30W	120W	120W	40W	150W
40W	175W	175W	65W	300W
50W	200W	200W	100W	300W



AC100-277V 50/60Hz

4000V Surge voltage	IP60 Ingress Protection Level	-40-55°C Working temperature	360 degree Viewing Angle
LED TYPE 3030	5 Years warranty	2700-6500K CCT	PF>0.9 CRI>80

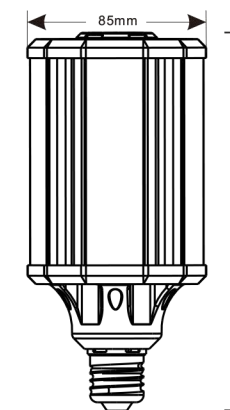
PRODUCT PARAMETER

Model	Dimension	Lumen Efficacy	Optional base	LED Quantity	Cover
PCL-25W	85X180.5MM	>130lm/W	E26/E27	80 PCS	Clear/Frosted
PCL-33W	85X180.5MM	>130lm/W	E26/E27	120 PCS	Clear/Frosted
PCL-40W	105X223MM	>130lm/W	E39/E40	150 PCS	Clear/Frosted
PCL-50W	105X223MM	>130lm/W	E39/E40	200 PCS	Clear/Frosted



Post Top LED Corn Light

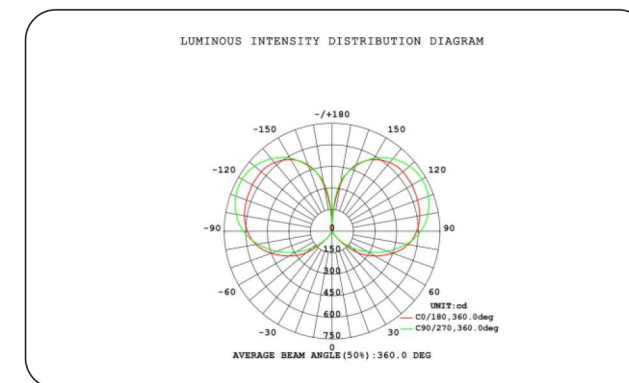
HID/HPL/SON/HPS Replacement



PCL-25W/33W

Specifications

- Ingress Protection Level: IP60.
- The Cover can be clear or milky.
- Beam Angle: 360°.
- Applications: Warehouse, Garden, Malls, Street Landscape, Hotel, Galleries, Walkway lighting, Tunnel, Illuminate pathways, Stadiums.
- ISO9001-2008 , UL/cUL DLC LM79 LM80
- ENEC CE ROHS PSE SAA.



PACKING SPECIFICATION

Watt	Box Size	Net Weight/light	Gross Weight Per CTN	CTN Size	Qty per CTN
25W	104*104*204mm	0.45kg	12.5 kg	435*330*430mm	24
33W	104*104*204mm	0.45kg	12.5 kg	435*330*430mm	24
40W	125*125*247mm	0.55kg	12.5 kg	525*400*270mm	18
50W	125*125*247mm	0.55kg	12.5 kg	525*400*270mm	18



25W	100W	100W	70W	200W
33W	120W	120W	90W	250W
40W	175W	175W	65W	300W
50W	200W	200W	100W	300W